

AKRIPOL CO₂ SHEV
SKYDOME SYSTEMS

AKRIPOL





Akripol Shev Skydome System

Akripol Shev Skydome System

The position of skylights is ideal for efficient natural smoke and heat exhaust in case of fires, providing for a smooth integration of both systems in terms of cost-effectiveness and functionality.

3-in-1

Skylights = Natural Lighting + Ventilation + Natural Smoke and Heat Exhaust

Under normal conditions, the skylights can be used for ventilation and provision of natural light to rooms. In the case of fire, they serve as natural smoke and heat exhausts.



10
Years
guarantee
for skydome
material



2
Years
guarantee
for shev
systems



Protection



Natural
Daylight



Natural
Ventilation



Natural
Smoke and
Heat Exhaust

AKRIPOL CO₂ SHEV SKYDOME SYSTEM TYPE - G

Product advantages

- EC-Certificate of Conformity according to EN 12101-2 (CE-mark);
- SOLO version;
- Due to cross beam design, only small forces are introduced into the curb and skydome frame;
- Space-saving due to flat design;
- Ease of assembly by hanging the mounting from above into the curb or frame.

Nominal size

- up to 200 x 250 cm

Aerodynamically efficient smoke exhaust surface (according to EN 12101-2)

- up to 3,5 m² (depending on skydome size and upstand type)

Max. snow load:

- max. SOLO version SL 2500 N/m² (depending on dome size)

Other advantages and properties of the CO₂ system

- Can be provided with additional electric or pneumatic ventilation function;
- Standard connection for 6 mm pipe;
- Upper cross beams including preassembled hook locking device (MHV);
- Skydome locked in closed position by mechanical hook locking device (MHV) and adjustable locking bolt (or extension set for ventilation);
- Available in the version "OPEN-CLOSE";
- Cylinder automatically locks in open position, preventing unintentional closing;
- Easy maintenance.

Options

• VdS approved combination relief valve for automatic thermal relief action:

- Thermal relief valve by thermo bulb and electrical remote relief of the OPEN function by attached solenoid, 24VDC / 7W, operating mode S1 to DIN VDE 0580 (100% duty cycle).

• VdS approved thermal relief valves:

- Automatic thermal relief of a one-way CO₂ bottle;
- Suitable thermo bulbs;
- Maximum operating pressure 80 bar;
- No tool required for tensioning piercing needle and thermo bulb;
- Temperature range: -25°C to +110°C.



AKRIPOL CO₂ SHEV SKYDOME SYSTEM TYPE - J

Product advantages

- EC Certificate of Conformity according to EN 12101-2 (CE mark);
- SOLO version;
- Thanks to the structural design which uses square tubes most forces stay in the traverse;
- Due to its compact design, the traverse is easy to mount by hanging into the curb (with special brackets).

Nominal size:

- up to 200 x 250 cm

Aerodynamically efficient smoke exhaust surface (according to EN 12101-2)

- Up to 3,5 m² (depending on skydome size and upstand type)

Max. snow load:

- Max. SOLO version SL 2500 N/m² (depending on dome size)

Other advantages and properties of the CO₂ system

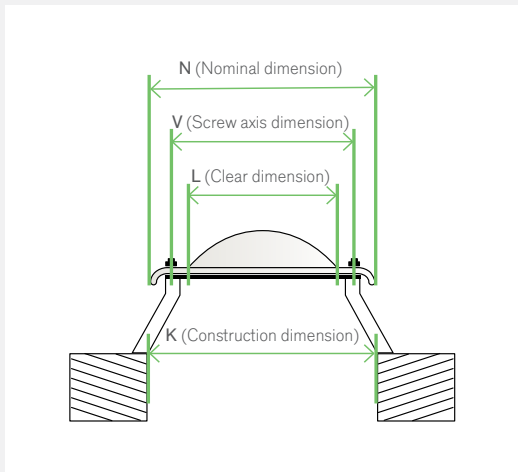
- Can be provided with additional electric or pneumatic ventilation function;
- Upper cross beams including preassembled locking device TS2000;
- Skydome locked in closed position by mechanical locking device TS2000 and adjustable locking bolt
- Available in the version "OPEN-CLOSE";
- Cylinder automatically locks in open position, preventing unintentional closing;
- Easy maintenance.

Options

- **Thermal relief valve TAG**
 - Automatic thermal relief of a one-way CO₂ bottle
 - Suitable thermo bulbs.
- **Combination relief valve for automatic thermal relief action:**
 - Thermal relief valve TAG by thermo bulb is upgraded with electrical remote relief of the OPEN function by attached solenoid 24VDC.



Dimensions N	Dimensions K	CO ₂ opening 140°		Aeorodynamic free area with windshields Aa [m ²]	
		SL 500N (Type G and J)	SL 750N (Type G)	Upstand height 50 cm	Upstand height 30 cm
960 x 960	1000 x 1000	•	•	0,63	0,62
960 x 1160	1000 x 1200	•	•	0,76	0,74
960 x 1460	1000 x 1500	•	•	0,96	0,95
960 x 1760	1000 x 1800	•	•	1,17	1,15
960 x 1960	1000 x 2000	•	•	1,30	1,28
960 x 2060	1000 x 2100	•	•	1,37	1,34
960 x 2160	1000 x 2200	•	•	1,43	1,41
960 x 2360	1000 x 2400	•	•	1,61	1,56
960 x 2460	1000 x 2500	•	•	1,70	1,65
960 x 2660	1000 x 2700	•	•	1,86	1,81
960 x 2760	1000 x 2800	•	•	1,93	1,88
960 x 2960	1000 x 3000	•		2,07	2,01
1160 x 1160	1200 x 1200	•	•	0,92	0,91
1160 x 1460	1200 x 1500	•	•	1,15	1,13
1160 x 1760	1200 x 1800	•	•	1,40	1,38
1160 x 1960	1200 x 2000	•	•	1,58	1,56
1160 x 2060	1200 x 2100	•	•	1,66	1,64
1160 x 2160	1200 x 2200	•	•	1,77	1,74
1160 x 2360	1200 x 2400	•	•	1,96	1,90
1160 x 2460	1200 x 2500	•	•	2,07	2,01
1160 x 2660	1200 x 2700	•	•	2,24	2,17
1160 x 2760	1200 x 2800	•	•	2,32	2,25
1160 x 2960	1200 x 3000	•		2,48	2,41
1460 x 1460	1500 x 1500	•	•	1,49	1,46
1460 x 1760	1500 x 1800	•	•	1,81	1,78
1460 x 1960	1500 x 2000	•	•	2,01	1,98
1460 x 2060	1500 x 2100	•	•	2,14	2,11
1460 x 2160	1500 x 2200	•		2,26	2,21
1460 x 2360	1500 x 2400	•		2,48	2,41
1460 x 2460	1500 x 2500	•		2,61	2,53
1460 x 2660	1500 x 2700	•		2,84	2,75
1460 x 2760	1500 x 2800	•		2,94	2,86
1460 x 2960	1500 x 3000	•		3,15	3,06
1760 x 1760	1800 x 1800	•	•	2,20	2,17
1760 x 2060	1800 x 2100	•		2,57	2,53
1760 x 2160	1800 x 2200	•		2,73	2,67
1760 x 2360	1800 x 2400	•		3,02	2,94
1760 x 2460	1800 x 2500	•		3,15	3,06
1760 x 2660	1800 x 2700	•		3,40	3,30
1960 x 1960	2000 x 2000	•		2,76	2,72
1960 x 2160	2000 x 2200	•		3,06	2,99
1960 x 2360	2000 x 2400	•		3,36	3,26
1960 x 2460	2000 x 2500	•		3,50	3,40



*Other non-standard or intermediate sizes (not in the table) - upon request

Systems can be fitted to:
 Skydomes: from 1-4 layered and VISS
 Upstands: height 30 cm and 50 cm (Polyester and Fe)
 Opening frames: aluminium

Notes:
 SL – Snow load [N]



Certificates:

- Certified to EN 12101-2
- Certified to EN 1873
- Tested to FM Approvals No. 4473



More info:
Akripol, d.o.o., Alux Sales
t: +386 7 34 81 634 / 635
f: +386 7 34 60 047
info@akripol.si
sales@akripol.si
www.akripol.si